

NA4909-2RSR-XL

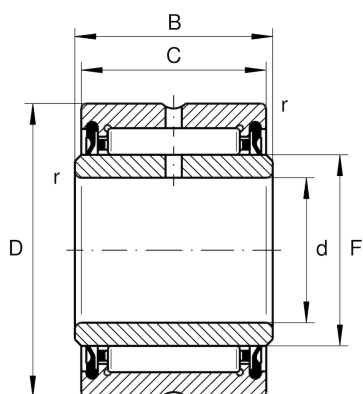
Needle roller bearing

Schaeffler ID:
0507752510000

Needle roller bearings NA49..-2RSR,
dimension series 49, lip seals on both
sides

X-life

Technical information



Main Dimensions & Performance Data

d	45 mm	Bore diameter
D	68 mm	Outside diameter
B	23 mm	Width, inner ring
C_r	43,000 N	Basic dynamic load rating, radial
C_{0r}	59,000 N	Basic static load rating, radial
C_{ur}	9,900 N	Fatigue load limit, radial
$n_{G \text{ Grease}}$	5,200 1/min	Limiting speed for grease lubrication
	283.84 g	Weight

Dimensions

F	52 mm	Raceway diameter inner ring
C	22 mm	Width, outer ring
r_{\min}	0.6 mm	Minimum chamfer dimension

Temperature range

T_{\min}	-20 °C	Operating temperature min.
T_{\max}	100 °C	Operating temperature max.